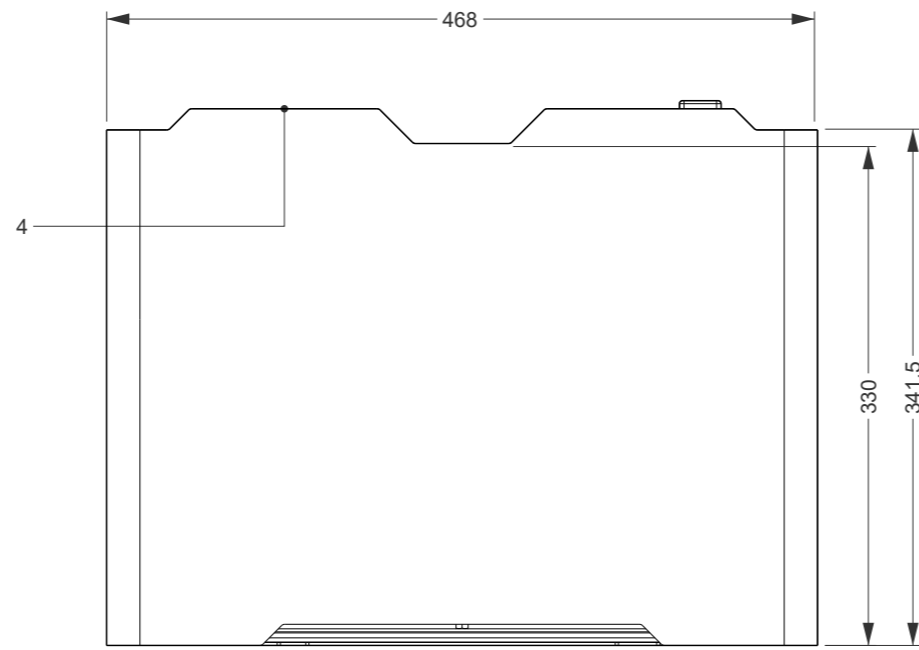
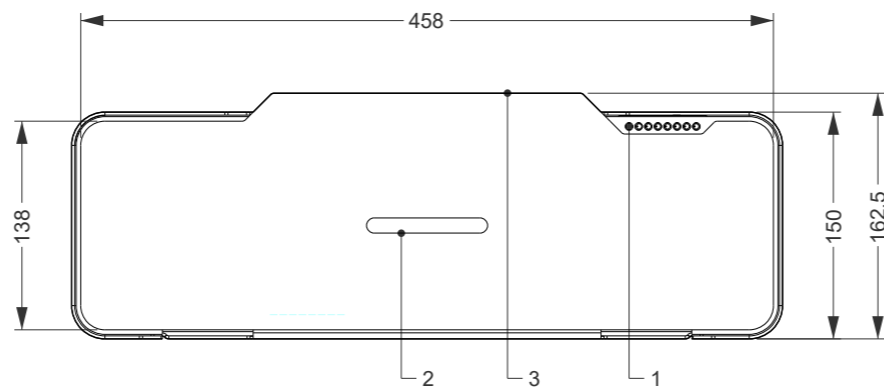


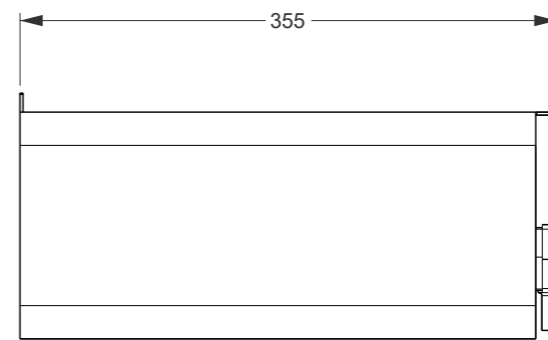
SIDE VIEW OPEN



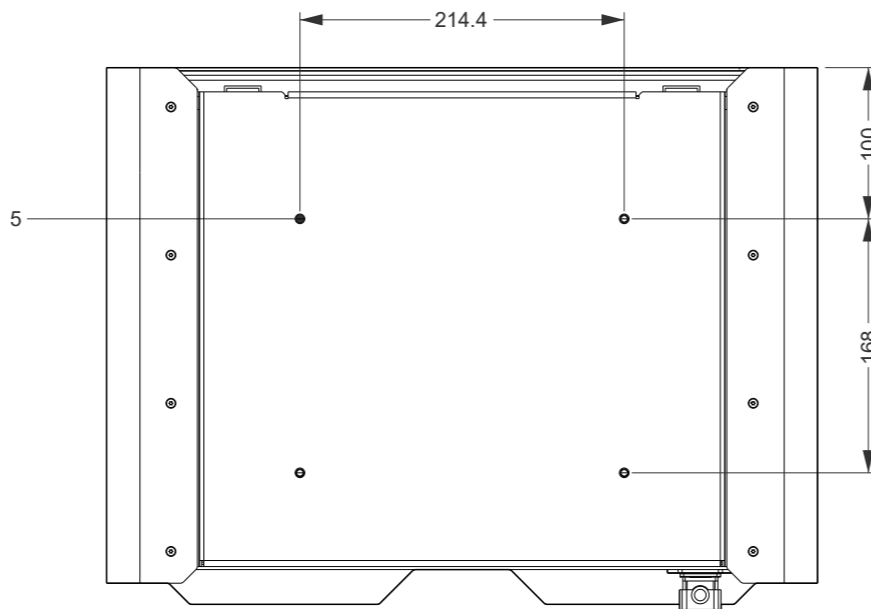
TOP VIEW



FRONT VIEW

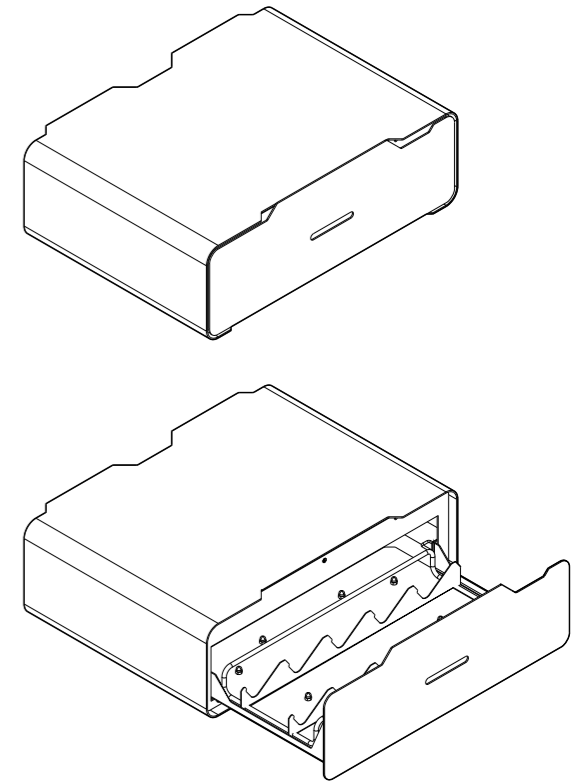


SIDE VIEW



UNDERSIDE VIEW

ISOMETRIC



NOTES

TUV-PL-L 60W/4P HO rated at 19.0W UV-C radiation
Irradiance value per bulb at 30s exposure: 166 $\mu\text{W}/\text{cm}^2$

UV-C exposure dose (fluence) of per UV-C unit: 49.8 J/m^2

Total UV-C Fluence at 30s: 99.6 J/m^2

Median exposure dose of 73 J/m^2 is required to reach the germicidal D90 level for viruses on a surface (ie: 90% of virus is killed)

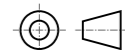
Annual bulb usage of 5475 hours, based on 10 cycles daily (Including start-cycle bulb deterioration)
TUV-PL-L 60W/4P HO rated: 9000 hrs for 15% UV-C loss

5x Device Capacity/Model: TC2x / TC5x / TC7x

COMPONENTS

5	M5 MOUNTING POINTS / OPTIONAL FEET	4
4	INTELLIGENT CABINET LOCATING TABS	1
3	OPEN/CLOSE HANDLE	1
2	DRAWER FRONT WINDOW	1
1	DRAWER FRONT INDICATOR	1
ITEM	DESCRIPTION/MATERIAL	QTY

PROJECTION
THIRD ANGLE



SCALE
1:5 @A3

DATE
200911